

ARB **BASE RACK**

FITTING INSTRUCTION

Part Number: 1780310
Product Description: Recovery Track Holder

WARNING

- ◆ The ARB BASE RACK system has a maximum capacity of 25kg per cross slat. Exceeding this limit may result in damage or failure
- ◆ This product has been design for use with TRED Pro™ and MAXTRAX mounting pin kits, functionality may be compromised using alternate brands
- ◆ This product may also be used for mounting solar panels (max weight 20kg), using all brackets. This product must be installed exactly as per these instructions using only the hardware supplied
- ◆ This product or its fixing must not be modified in any way
- ◆ These instructions are correct as at the publication date
- ◆ During installation, it is the duty of the installer to check correct operation/clearances of all components
- ◆ Work safely at all times
- ◆ Unless otherwise instructed, tighten fasteners to specified torque
- ◆ Fastener torques are to be checked at regular intervals

ARB 4x4 ACCESSORIES

Corporate Head Office

www.arb.com.au

42-44 Garden St
Kilsyth, Victoria
AUSTRALIA 3137

Tel: +61 (3) 9761 6622
Fax: +61 (3) 9761 6807

Australian enquiries
North & South American enquiries
Other international enquiries

sales@arb.com.au
sales@arb.com.au
exports@arb.com.au







REQUIRED TOOLS FOR FITMENT OF PRODUCT:

13mm Spanner/Wrench

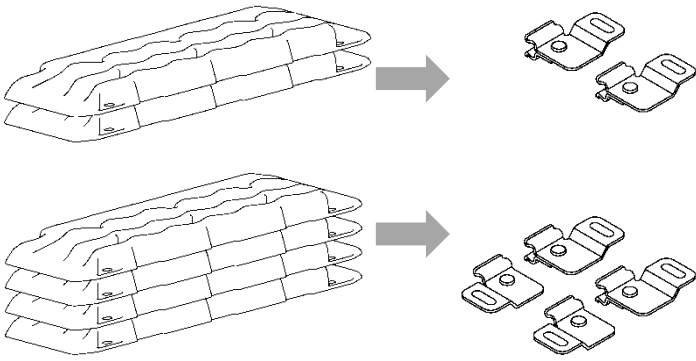
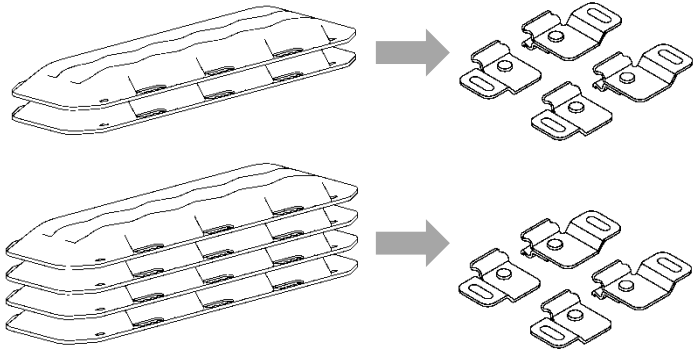
FASTENER TORQUE SETTINGS:

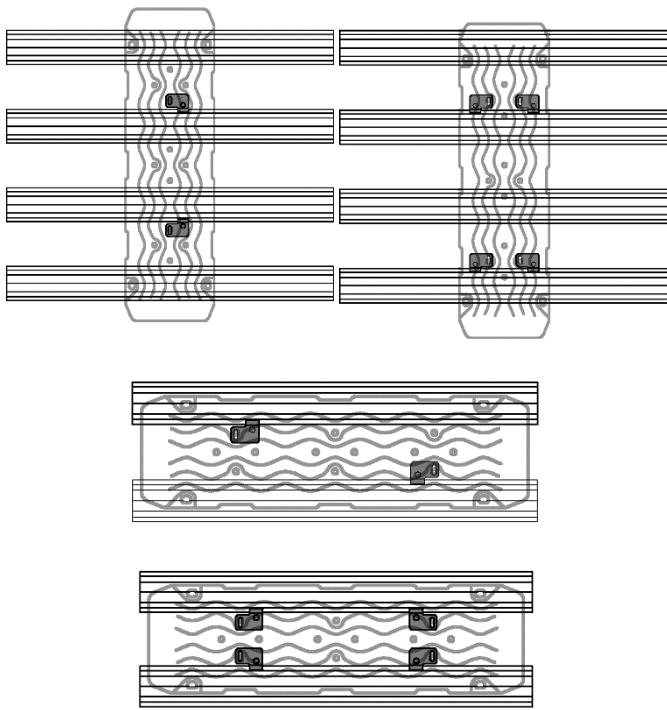
SIZE	Torque Nm	Torque lbft
M6	9Nm	7lbft
M8	22Nm	16lbft

PARTS LISTING

APPLICATION.	PART NO.	QTY	DESCRIPTION
	3752570R	2	BRKT RT TRED HOLDER RH
	3752570L	2	BRKT RT TRED HOLDER LH
	3752563	4	BRKT RT ACC CLAMP 40MM
	6151921	4	BOLT COHD M8x20 PC8.8 LWHD
	6151212	4	NUT NYLOC M8 BLACK
	4581085	4	WASHER M8x19x1.2mm BLACK

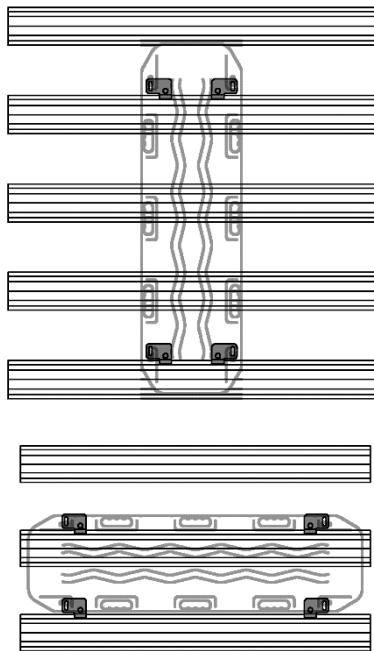
FITTING PROCEDURE

<p style="text-align: center;">TRED Pro</p> 	<p>1. Plan bracket layout based on number of boards to be fitted</p> <p>TRED Pro™ – with TRED Pro™ Pin kit</p> <ul style="list-style-type: none"> • 2 TRED Pro™ boards require 2 mount points • 4 TRED Pro™ boards require 4 mount points <p>Note: Boards can be fitted along or across the rack</p>
<p style="text-align: center;">MAXTRAX</p> 	<p>MAXTRAX – with MAXTRAX Pin kit</p> <ul style="list-style-type: none"> • Require 4 mount points <p>Note: Boards can be fitted along or across the rack</p>



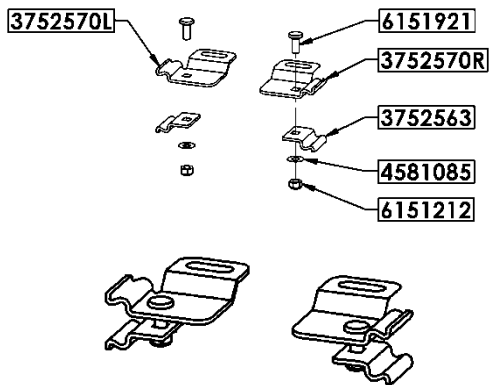
2. TRED Pro™ bracket location for longitudinal and lateral mounting, with 2 or 4 brackets is shown

Note: RH & LH Bracket orientations



3. MAXTRAX bracket location for longitudinal and lateral mounting

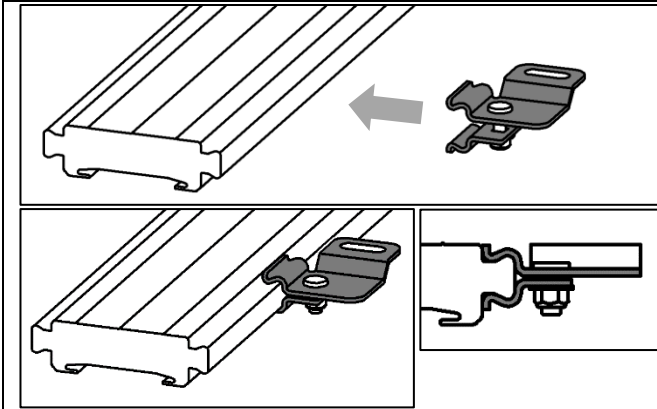
Note: RH & LH Bracket orientations



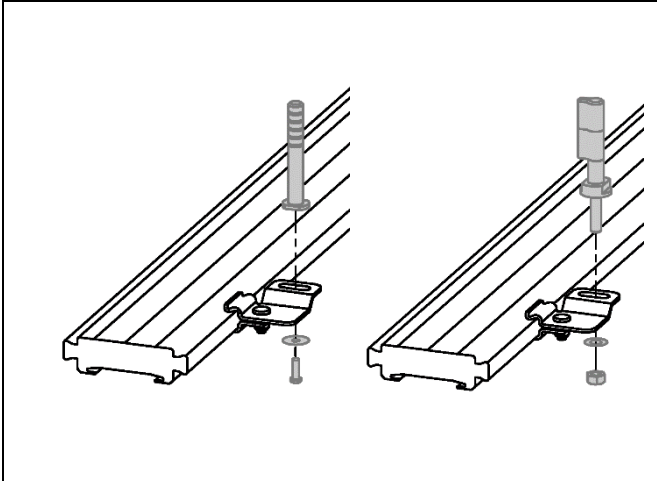
1. Assemble brackets with a pair of M8 bolts, washers and nuts

Only tighten nuts 3-4 turns

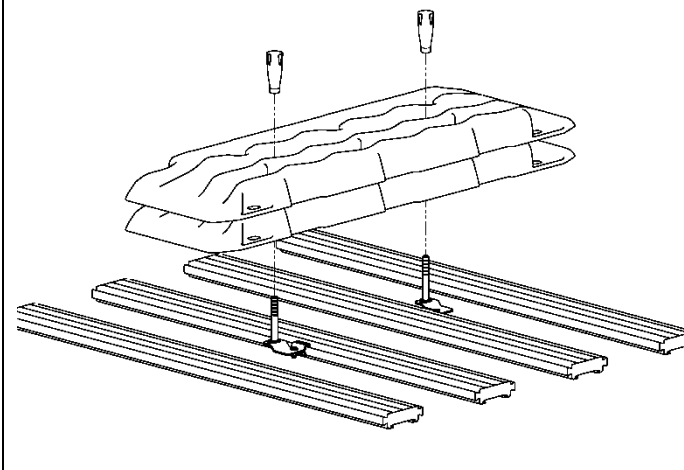
FITTING PROCEDURE



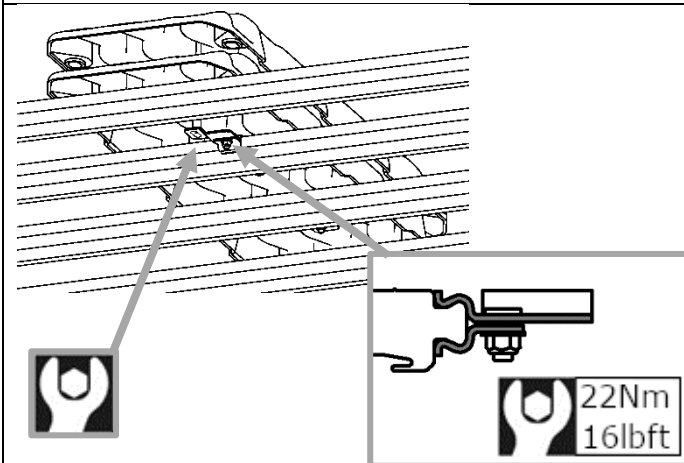
2. Fit the mounting brackets over the dovetail. Loosely tighten



3. Loosely install the mounting pins as per manufacturer's instructions



4. Fit the recovery boards to the pins to confirm locations



5. Tighten the M8 nut as per specified torque
6. Tighten the pin hardware as per manufactures instructions

Note: it may be necessary to remove boards to tighten fasteners